

EcoTrikes

Owner's Manual



ET4



ET6

Email: mail@EcoTrikes.com
www.EcoTrikes.com

EcoTrikes

Table of Contents

Technical Information-----	1
Warning Statement-----	2
Read Before Riding-----	3
List of Parts-----	4
Front Bar-----	6
Tool Kits In The Tool Bag-----	7
Assembling The Multi-Point-----	8
Charging The Batteries-----	12
Charging The Batteries Outside Scooter-----	13
Riding The Multi-Point-----	15
Folding The Multi-Point-----	19
Maintenance-----	21
Wiring Diagram-----	22
Trouble Shooting Guide-----	24

Warranty-----26

Instructions for optional attachments-----31

Technical Information

EcoTrikes

Model No.	EcoTrikes ET4 and ET6
Product size	45 L x 27 W x 44 H inch (115 x 68 W x 113 cm)
Type of motor	Permanent-magnet brushless DC wheel motor
Motor power	500 w Wheel motor, 48 V
Battery type	sealed lead acid battery
Battery capacity	48 Volt, 12Ah
Charger	110V-240V, UL approved
Charging time	4-6 hours
Max. speed	Up to 16 MPH (26 km/h)
Single charge	Up to 31 MILES (50 km)
Max capacity	310 LBS (158 kg)
Net weight	101 LBS (46 kg)

Warning Statement

EcoTrikes



IMPORTANT!

Before you operate your ET4, please read carefully:

YOUR EXISTING INSURANCE POLICY MAY NOT COVER FOR ELECTRIC VECHILCES; YOU SHOULD CONTACT YOUR INSURANCE AGENT TO DETERMINE IF YOUR COVERAGE IS PROVIDED.



Do not ride this scooter until you read thoroughly understand the owner's manual. It contains information critical to your safety. If you have any questions about the operation of the scooter, you should consult your authorized dealer



It is extremely important that you follow the safety guidelines contained in this manual in order to ensure maximum safety.



Failure to comply with the standards outlined in the manual could result in fire and/or serious injury.



EcoTrikes LLC is not liable for any damage or injuries caused by unsafe or faulty repairs. Any repairs made to this product by unauthorized service technicians are the sole responsibility of the owner.



Our products are designed to be ecologically conscious; please dispose of used battery in compliance is with the local laws.

Read Before Riding

EcoTrikes

WARNING

THE EcoTrikes Scooters are NOT A TOY AND SHOULD NOT BE OPERATED BY ANYONE UNDER 12 YEARS OLD.

Safety Instructions:

(Please take note of the following before each ride)

- The maximum weight capacity is 310 lbs.
- Only one person at a time should ride.
- Always wear protective gear including knee and elbow pads and an approved safety helmet when riding the EcoTrikes scooters
- Before riding, be sure to check that all pivot points, locking buttons, quick releases, and latches are secured properly.
- The power switch lock must be in the “off” position when the EcoTrikes Scooter is being charged.
- Do not use the EcoTrikes Scooter when it is raining.
- Do not place the battery near heat or fire.
- Do not expose the charger to water or any moisture.
- Check if batteries are properly charged and installed.
- Charge Batteries after each use.
- Always ride on dry paved surfaces. Gravel, wet, extreme incline, and uneven surfaces are a hazard.

Check if all tires are properly inflated.

List of Parts

EcoTrikes



List of Parts

EcoTrikes

- 1 Throttle
- 2 Multi-function Instrument
- 3 Brake lever
- 4 Alloy handlebar tub
- 5 Quick release
- 6 Connecting tube
- 7 Seat
- 8 Charger port
- 9 Footboard
- 10 Rear wheel
- 11 Battery
- 12 Power connecting plugs
- 13 Allen set screw
- 14 Front fender compartment
- 15 Front fork
- 16 Motor
- 17 Front wheel
- 18 Basket



- 1 Brake lever
- 2 Lock mechanism switch
- 3 Horn switch
- 4 Multi-function Instrument
- 5 Key switch
- 6 USB port
- 7 Throttle

Tool Kits In The Tool Bag

EcoTrikes



- 1 Screwdriver
- 2 Allen wrench (2.5mm)
- 3 Allen wrench (3mm)
- 4 Allen wrench (5mm)
- 5 Allen wrench (6mm)
- 6 Wrench (8 x 10mm)
- 7 Wrench (16 x 18mm)
- 8 Wrench (16 x 18mm)
- 9 Charger

Assembling The EcoTrikes Unit

EcoTrikes

1. Unpack the EcoTrikes scooter carefully so that you do not misplace any of the parts.



2. Place the EcoTrikes unit on a flat, level surface. Block the front up 3.5". This will make the next step easier



3. Remove the bolts and nuts from the connecting tube clamp (B). Place the connecting tube into the top opening (A). After aligning the holes, place the two bolts through the connecting tube and neck assembly. Twist the bolts, do not hammer them through. Tighten these two bolts with the nuts provided.



Assembling The EcoTrikes Unit

EcoTrikes

4. The two Allen set screws on the front of the connecting clamp are for removing any play after the bolts have been tightened. First, back off the nuts, second, set the screws, third, tighten the nuts to prevent the screws from backing off.

Two Allen set screws



5. Extend the handle bar tube to full upright position, and slide it into connecting with the front fork.



*Note: The tube shaft is intentionally off center to allow handlebars to fold to the side. Be sure to

Assembling The EcoTrikes unit

EcoTrikes

align release button to pivot on brake handle side



6. Ensure that the handlebar is facing front, the brake on the left side and the throttle on the right, then tighten the handlebar tube collar clamp using the enclosed 5mm wrench.
7. Plug in the two power connecting plugs into the sockets. The design of each plug and socket is different. Connect the ones which best fit each other to finish the assembly.



8. Match the pins of the plugs to the holes of the sockets. Note the alignment notches.

Assembling The EcoTrikes unit

EcoTrikes



NOTE: Handle bar height adjustment. Handle bar height can be easily adjusted by opening the quick release on the handlebar tube to preferred height, then firmly closing quick release.



Charging The Batteries

EcoTrikes

● Before you ride the EcoTrikes unit for the first time you must charge the batteries for 4-6 hours or until charge light turns green using only the supplied charger.

● To charge the batteries, plug the charger into the charger socket located on the rear side of the battery/controller compartment. Then plug the charger into a wall outlet. Red light on charger indicates charging, green light indicates charged.

Warning: Never charge scooter longer than 10 hours.



Charging The Batteries Outside Scooter

EcoTrikes

1. Turn off the key switch.
2. Lift the floor mat. Unscrew two bolts that secure the battery cover and remove it.



3. Unplug the battery connection plug, unlock the battery case, remove the battery, and charge using the optional external charge wire and provided charger.



Charging The Batteries Outside Scooter

EcoTrikes



Riding The EcoTrikes unit

EcoTrikes

●Once you have completed the initial charge you are ready to ride. Remember, this is not a toy. The EcoTrikes unit can reach speeds up to 16 mph depending on the terrain and the weight of the rider. You must wear a helmet and protective pads. Be aware of all local laws and ordinances that govern and/or restrict the use of powered scooters. The laws and ordinances vary greatly from municipality to municipality. It is your responsibility to know and abide by your local restrictions.

●To ride, insert the key into the key switch and turn the key in clockwise direction till the first click. The battery gauge will be illuminated indicating that the battery is in operation. If you want to turn on the front light, please turn the key to the second click in clockwise direction.



● Hold onto the front bar with both hands. Your left hand will control the brakes and your right

hand will control the throttle. As you turn the throttle towards yourself, the speed will be increased. Release the throttle and apply the brake to stop the scooter. You will control the speed of the scooter by using both the throttle and the brake. **When the brake handle is squeezed it cuts power off the throttle.**

NOTE 1: WARNING: Never try stunts. Always maintain a safe speed.

NOTE 2: When scooter is parked, please remove the key, this will avoid anyone from accidentally turning the throttle causing the scooter to speed forward. Failure to do this could lead to an accident.

NOTE 3: If you need to stop in an emergency or kill power quickly, you can turn the key off.

NOTE 4: Depending on skills of the driver, the EcoTrikes unit comes equipped with an adjustable speed switch located under the left front side of the scooter under the 2 wire connectors which allows you to limit speed to 8mph or switch to max speed of 16 mph.



NOTE 5: When you use reverse, the scooter must be stopped, and then push the reverse switch to “R”, the horn will send out a noise, then **GENTLY** turn the throttle to back up. **Warning, do not twist throttle to full power when in reverse.** When finishing reverse, push the reverse switch back to “F”.



Riding The EcoTrikes unit

EcoTrikes

NOTE 6: The maximum output of a double USB port is 5V, 2A and will charge two phones or a phone and a tablet at the same time.

ET6 USB



ET4 USB

NOTE 6: The maximum output of the single port USB is 5V 1A which will charge all phones.



Folding The EcoTrikes unit

EcoTrikes

1. Turn off the key switch
2. Put the clamp ring to turn to one side.



3. Press the quick release to bottom.



Folding The EcoTrikes unit

EcoTrikes

4. Lift the connecting tube (which is also attached to the handlebar tube).



5. Carefully place the handlebar tube on the footrest frame



Maintenance

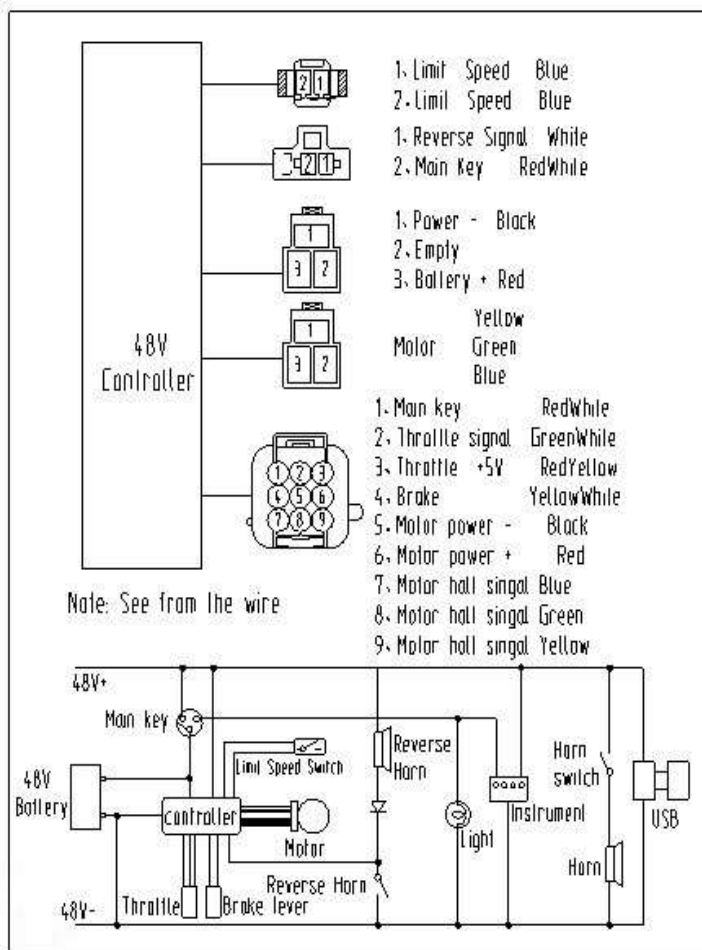
EcoTrikes

Battery: (for professional use only)

The EcoTrikes unit is powered by 4, 12 volt, rechargeable batteries housed in a single compartment. Other than recharging, these batteries need no maintenance. To prolong battery life, recharge the battery after each use. You must also charge your EcoTrikes unit if it has not been used for 30 days or more. If you need to replace the battery pack, it is located inside the battery compartment on the footboard. To get to the battery pack, remove the compartment cover by loosening the screws. To remove the batteries disconnect the wires from the battery terminals. Replace the battery pack with a new one and reconnect the wires. Follow the instructions on charging batteries to charge the new batteries.

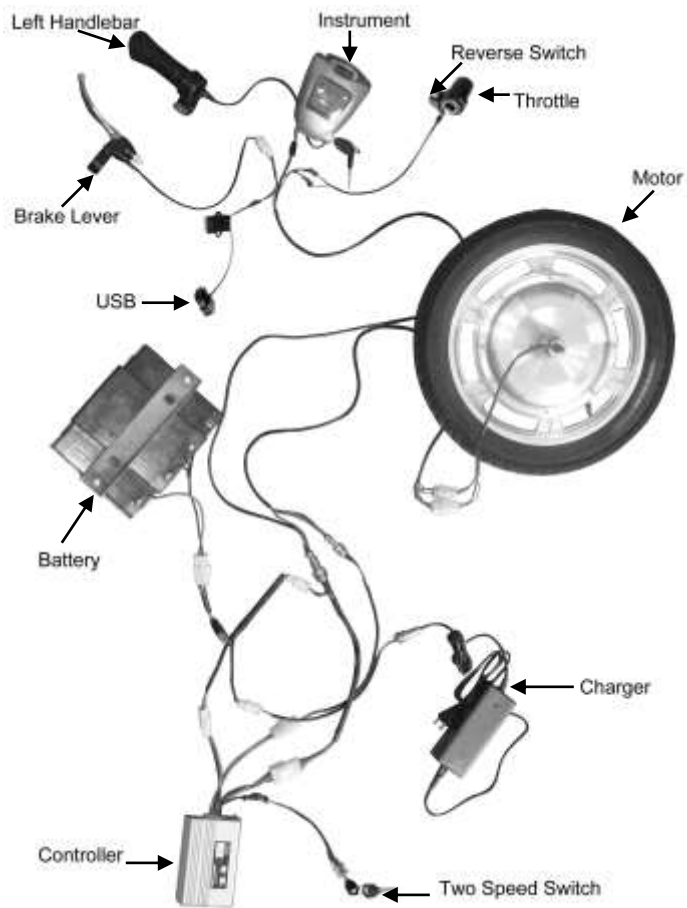
Wiring Diagram

EcoTrikes



Wiring Diagram

EcoTrikes



Trouble Shooting Guide

EcoTrikes

Problem	Cause	Solution
The power light on the instrument does not illuminate when the Multi-Point is on.	<ol style="list-style-type: none">1. Battery is discharged.2. Loose connection inside EcoTrikes unit.3. Fuse is blown.4. The instrument is defective.	<ol style="list-style-type: none">1. Recharge your EcoTrikes unit.2. Remove the screws that hold the battery compartment cover and raise the cover. Visually inspect all wire connections making sure there are no loose wires, reconnecting those that are.3. Replace the fuse.4. Replace the instrument.
The power indicator on the instrument illuminates but EcoTrikes unit still does not work.	<ol style="list-style-type: none">1. The throttle handle is not operating properly.	<ol style="list-style-type: none">1. Replace the throttle handle. Call Customer Service to order a new throttle

Trouble Shooting Guide

EcoTrikes

When the brake lever is squeezed the EcoTrikes unit does not stop.	1. The brakes are not adjusted properly.	1. Adjust the brake by loosening the bolt on the brake wheel, pull the cable and retighten the bolt.
Scooter is losing speed.	1. Low battery 2. Battery is defective. 3. Low tire pressure.	1. Recharge your battery for 4~6 hours. 2. Replace battery. Call Customer Service to order a new battery. 3. Air tires up to correct pressure.

Warranty

EcoTrikes

The Limited Warranty does not cover or apply to the following: Normal wear and tear; any damage, failure and/or loss caused by accident, misuse, neglect, abuse and/or failure to follow instructions or warnings as stated on the product or in the applicable owner's manual or other printed materials provided with the product; damage, failure and/or loss caused by the use of the product in any other manner for which such products were not specifically designed.

EcoTrikes warrants the EcoTrikes unit for six (6) months according to the following terms. Batteries and tires are warranted for three (3) months. This warranty extends to the original retail purchaser only and commences on the date of the original retail purchase. Any part of the EcoTrikes product manufactured or supplied by EcoTrikes and found in the reasonable judgment of EcoTrikes to be defective in material or workmanship will be repaired or replaced by an authorized EcoTrikes service dealer without charge for parts or labor. EcoTrikes is responsible for the expense of delivering the warranty replacement parts. However, if the customer chooses not to replace the parts, the **expense of**

delivering the EcoTrikes unit to the factory / authorized service dealer for warranty work or the expense of returning it back to the owner after repair/ replacement will be paid for by the owner. EcoTrikes's responsibility in respect to claims is limited to making the required repairs or replacements and no claim of breach of warranty shall be cause for cancellation or rescission of the contract of sale of any EcoTrikes product. Proof of date of purchase will be required by the dealer to substantiate any warranty claim. An authorized EcoTrikes service dealer must perform all warranty work. The warranty is limited to thirty (30) days from the date of purchase for any EcoTrikes product that is used for rental demonstration, commercial purposes, or any other income producing purpose. This warranty does not cover any EcoTrikes product that has been subject to misuse, neglect, negligence or accident, or has been operated in any way contrary to the operating instructions as specified in EcoTrikes's owner's manual. This warranty does not apply to any damage to EcoTrikes products that is the result of improper maintenance or to any EcoTrikes product that has been altered or modified so as to adversely affect the products

Warranty

EcoTrikes

operation, performance, or durability, or that has been altered or modified to change its intended use. This warranty does not extend to repairs made necessary by normal wear and or by use of parts that are incompatible with EcoTrikes products. In addition this warranty does not cover items that experience normal wear and tear. EcoTrikes reserves the right to improve the design of the product without assuming any obligations to modify any product previously manufactured. All warranties are limited in duration to the six (6) months warranty period. Any such implied warranties including merchantability, fitness for a particular purpose or otherwise are disclaimed in their entirety after the expiration of the appropriate thirty day warranty period. EcoTrikes's obligation under this warranty is strictly and exclusively limited to the repair and replacement of defective parts and EcoTrikes does not assume any other obligation. Some states do not allow limitations on how long an implied warranty lasts, so the above limitation may not apply to you. EcoTrikes assumes no responsibility for incidental consequential or other damages including but not limited to expense of returning

Warranty

EcoTrikes

EcoTrikes tp authorized service dealer and expense of delivering it back to the owner, mechanics travel time, telephone charges, rental of a like product during the time the warranty service is being performed, travel loss, or damage to personal property, loss of revenue, loss of time, or inconvenience. Some states do not allow the exclusion or limitation of incidental or consequential damages so the above limitations may not apply to you.

WHAT EcoTrikes WILL DO:

EcoTrikes will, at its sole option, either repair, replace or refund the purchase price of any unit that does not conform to this limited warranty. EcoTrikes may choose at its option to use functionally equivalent reconditioned, refurbished or new units or parts or any units. You are responsible to get the unit back to EcoTrikes

HOW TO GET WARRANTY SERVICE:

To obtain warranty service, please call or fax to the following telephone numbers for EcoTrikes Customer Service - warranty repair

Tel. 1-239-285-0580 or,

Email: mail@ecotrikes.com

DO NOT RETURN YOUR PRODUCT TO ANY ADDRESS.

Please call, email, or write for the location of the EcoTrikes authorized service center nearest you and for the procedures for obtaining warranty claims.

Instructions for optional attachments

EcoTrikes

Installing the optional dc to ac Ecolnverter

1. Turn off the key switch
2. Remove seat post from seat



3. Install special seat post on seat



3. Put floor mat through tube



Instructions for optional attachments

EcoTrikes

4. Install quick release, put wire harness through tube



5. Connect wire harness with charger port under tube



6. Install tube on scooter, put one side with hole forward, and fasten bolts

Instructions for optional attachments

EcoTrikes



7. Align nipples to corresponding holes in floor deck



8. Install seat



Instructions for optional attachments

EcoTrikes

9. Plug the up connector into the inverter socket,



10. When using the inverter, turn on the power switch.



Inverter specification:

- Input voltage is DC 48V
- Output voltage is AC 110V 60Hz

NOTE 1: Do not expose to water drip or spray.

NOTE 2: Shock hazard. Keep away from children

- Do not insert foreign objects into the inverter's

Instructions for optional attachments

EcoTrikes

ac outlet or vent openings.

- Do not under any circumstances. connect the inverter to power utility AC distribution wiring.
- Failure to follow the above instructions may result in personal injury or damage to the inverter.

NOTE 3: Do not expose the inverter to temperatures in excess of 104°F(40°C).

Instructions for optional attachments

EcoTrikes

How to install the EcoCart trailer

1. Turn off the key switch
2. Put the trailer tongue into the slot, after aligning the holes, place the two bolts through the holes. Twist the bolts, and tighten them with the nuts provided.



3. Place the trailer connection plate (A) into the trailer connection frame (B) of front of trailer tongue. After aligning the holes, place the trailer pin through the hole. Secure the trailer pin with the cotter pin.



Instructions for optional attachments

EcoTrikes

How to install the EcoSolarShade panel

1. Turn off the key switch
2. Put the front frame(A) and front frame (C) into the front casing (B), after aligning the holes, place the two bolts through the holes and up-clip ring(D), Twist the bolts, and tighten them with the nuts provided.



3. Fix the under-clip ring (A) onto the scooter, and tighten them with the nuts provided.

Instructions for optional attachments

EcoTrikes



4. Install front support (A) onto front frame(B) with the two bolts, and tighten them with the nuts provided.



Instructions for optional attachments

EcoTrikes

5. Install the front support (A) into the under-clip ring (B) with the two bolts, and tighten them with the nuts provided.



6. Install the rear frame onto the scooter with the two bolts, and tighten them with the nuts provided.



Instructions for optional attachments

EcoTrikes

7. Install the rear support (A) onto rear frame (B) with the two bolts, and tighten them with the nuts provided.



8. Fix the rear support and seat post with one bolt, and tighten them with the nuts provided.



Instructions for optional attachments

EcoTrikes

9. Fix the solar panel onto the front frames and rear frames.



the rear frame



the front frame

10. Connect the wiring harness well.



the upper rear frame

Instructions for optional attachments

EcoTrikes



the lower rear frame

Instructions for optional attachments

Instructions on the use of the alarm

1. The first button is the Arm button, when pressing one time gently, the horn will ring one loud, after three seconds, the scooter will be on alert. When touching the scooter firstly, the horn will ring 3 times intermittent, if touching the scooter secondly within 10 seconds, the horn will ring 15 seconds. If forcing to move the scooter, the horn will ring continuously.
2. The second button is the Disarm button. Pressing this key one time gently, the horn will ring two loud, then the alert is removed. It also will shut the horn off if the alarm has been activated
3. The third button is Start Button, it has no function.
4. The fourth button is Find button, when pressing this key one time gently, the horn will ring three seconds and alerts us the scooter's location, pressing button 2 will stop horn. When pressing this key two seconds, it will become the state of sensitivity adjustment, the horn will ring "Bi" "BiBi" "BiBiBi" "BiBiBiBi", then looping. The number of consecutive chirping represents different

Instructions for optional attachments

EcoTrikes

sensitivity, there are four sensitivity, one is most sensitive. When getting to appropriate sensitivity, immediately release Find button, the horn will ring one loud and put on alert (the default is third sensitivity.)



Instructions for optional attachments

EcoTrikes

Instructions on the use of the LED undercarriage lighting system

When you use the LED system, the head light must be turned on, and then push the LED light switch to “1”, the LED lights will be illuminated. Push switch “0” to turn off the LED system.

